

www.hazalguvenlik.net



Hydraulic Rising Bollard (Standard 500 mm)

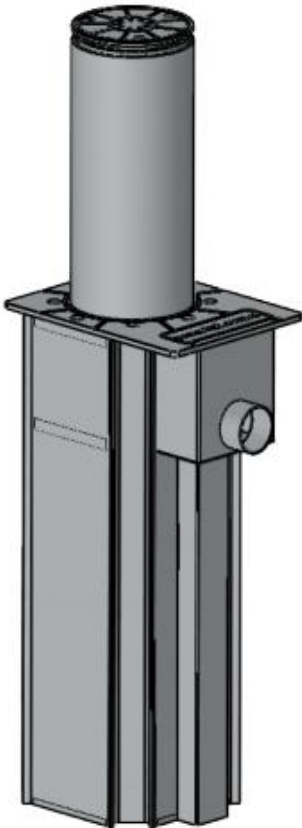
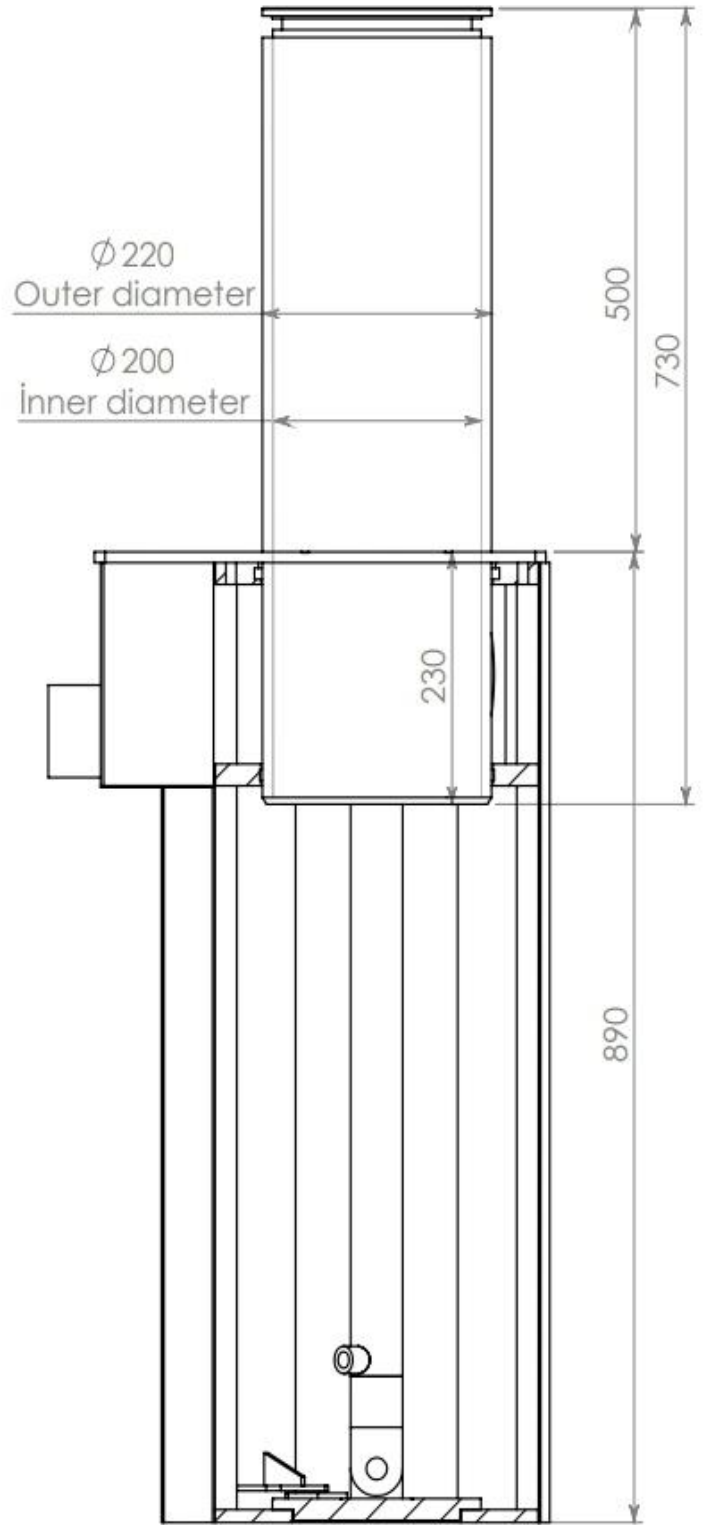
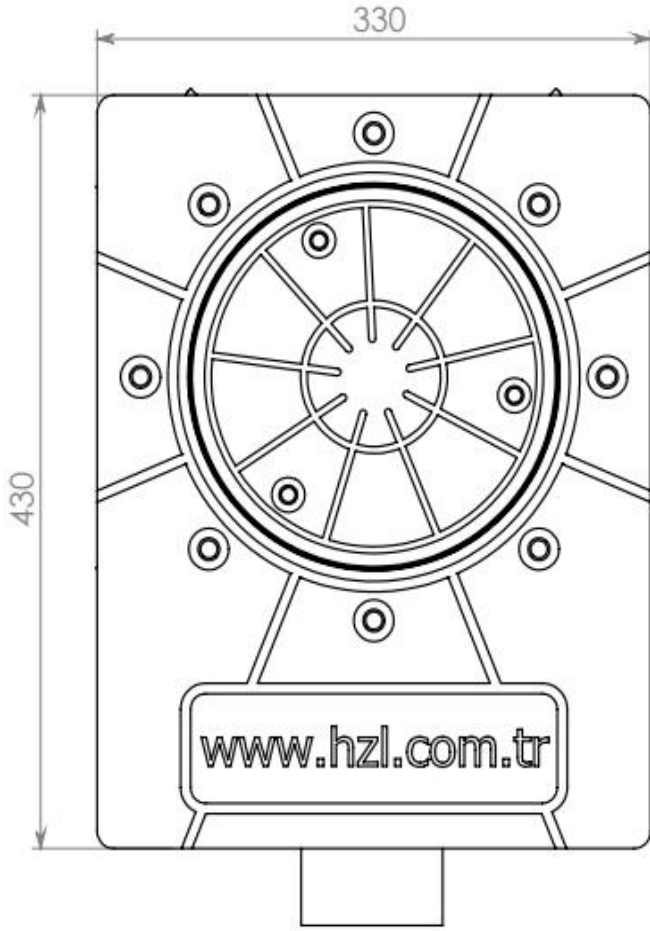
Data Sheet

www.hazalguvenlik.net

Hydraulic Road Blocker (Standard 50 cm)



DRIVE	Hydraulic
DRIVE POWER	Min 10 Bars / Max 120 Bars
CYLINDER RADIUS	220 mm
OBSTACLE HEIGHT	500 mm
CYLINDER WIDTH	10 mm
BEARING	Aluminum
MATERIAL	Steel – 304 Stainless Steel
RISING / FALLING TIME	4 Sec / 6 Sec
POWER SUPPLY	380 VAC / 50-60 Hz.
CONSUMPTION	3 KW
PROTECTION CLASS	IP 65
CONTROL PANEL	PLC,Programmeable for Integration With Various Systems
RESISTANCE	40.000 Joules
OPERATION TEMPERATURES	+ 70 °C / - 15 °C
WORKING FREQUENCY	Heavy Duty With 8000 / Day Move Movement
MANUAL OPERATION	Ascenting and Descending with Manual Hand Pump
OPERATION	Compatible With any king of Standart Interface , Button (standard) Remote Control , RFID , Camera , Proximty Card (optional)
HYDRAULIC OIL	No 46
HYDRAULIC PIPES	18/1,5 Rekor - 3/8 Çap, 350 Bar Max Pressure , 10 mt Pipe Length
BOLLARDS PER UNIT	Max 5 Adet
CERTIFICATION	CE , ISO 9001 : 2008
WARRANTY	2 Years
ACCESORIES	Oil Level and Temperarature Indicator,Manometer,Led Strip (Standard) Traffic Lights,Flashing Ling, Siren,Warning Sing, Drainage Pump (optional)



www.hazalguvenlik.net



Doğuş Mah Ballıbaba Sok No : 67/3 K.Esat / Çankaya / ANKARA

Tif : + 90 312 478 2028 – + 90 312 482 0484

www.hazalguvenlik.net - info@hazalguvenlik.net

www.hazalguvenlik.net